

**TECHNICAL DATA ANTENNA 24GHz 0.2m HIGH PERFORMANCE
For HyperBridge Wi200-S**



Hyperbridge, Urban Radio with Low Profile Antenna, 20x8 cm, gain 32dBi. OEM customization by Hypercable

HyperBridge Wi 200-S Modem Radio FH with Low Profile antenna

Type: HAA2402_00 SHORT DESCRIPTION

This low profile antenna combines high RF-performance with low profile and weight. The antenna can be mounted separately using Hypercable Antenna Mount. It can also be supplied in customized design, for example being adapted for direct mount on radio links. This product is RoHS compliant

ELECTRICAL DATA

Frequency Range	24.05 – 24.25 GHz
Gain (Low-band)	32.8 dBi
(Mid-band)	33.0 dBi
(High-band)	33.2 dBi
Half Power Beamwidth	2.9°
Cross-polar discrimination (within a –1dB co-polarised contour)	32 dB
Front-to-back ratio	60 dB
VSWR/Return loss	1.43:1 / 15 dB
ETSI compliance	EN 302 217-4-2 Nov 2008 Class 3
Polarisation	Vertical/Horizontal
Output Waveguide	Circular Ø10.06mm



RADIATION PATTERN ENVELOPE (RPE)

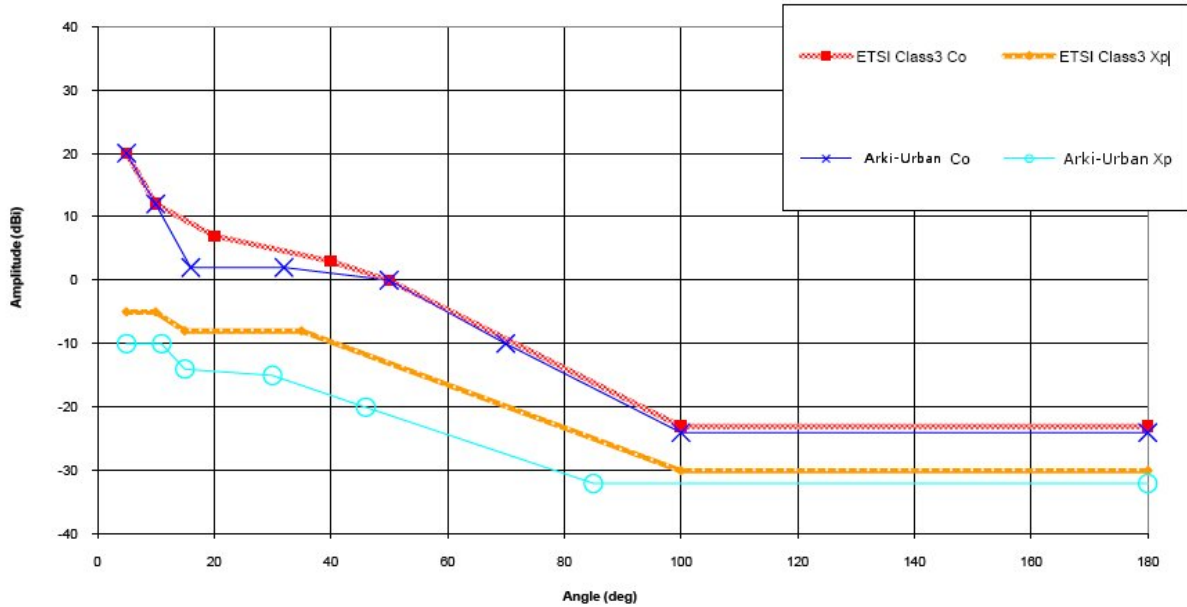
Copolar

Gain isotropic.....	20	12	2	2	0	-10	-24	-24	dBi
Angle vs. main lobe.....	5	10	16	32	50	70	100	180	deg

Crosspolar

Gain isotropic.....	-10	-10	-14	-15	-20	-32	-32	dBi
Angle vs. main lobe.....	5	11	15	30	46	85	180	deg

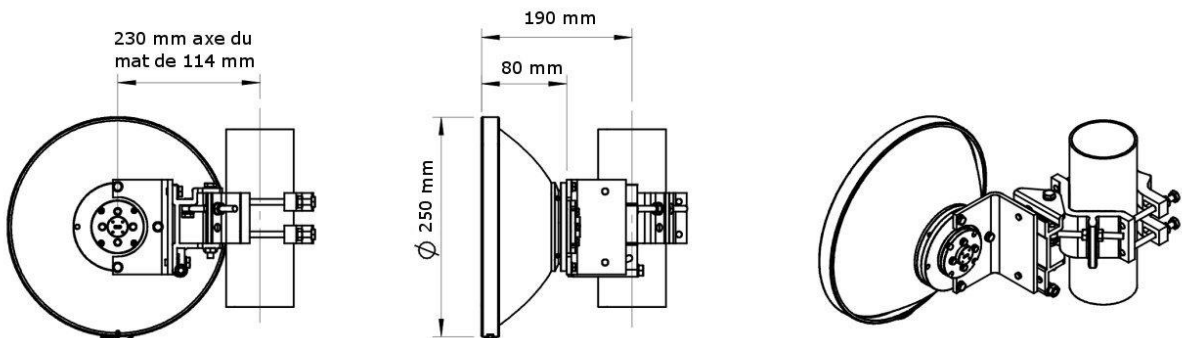
HAA2303_00

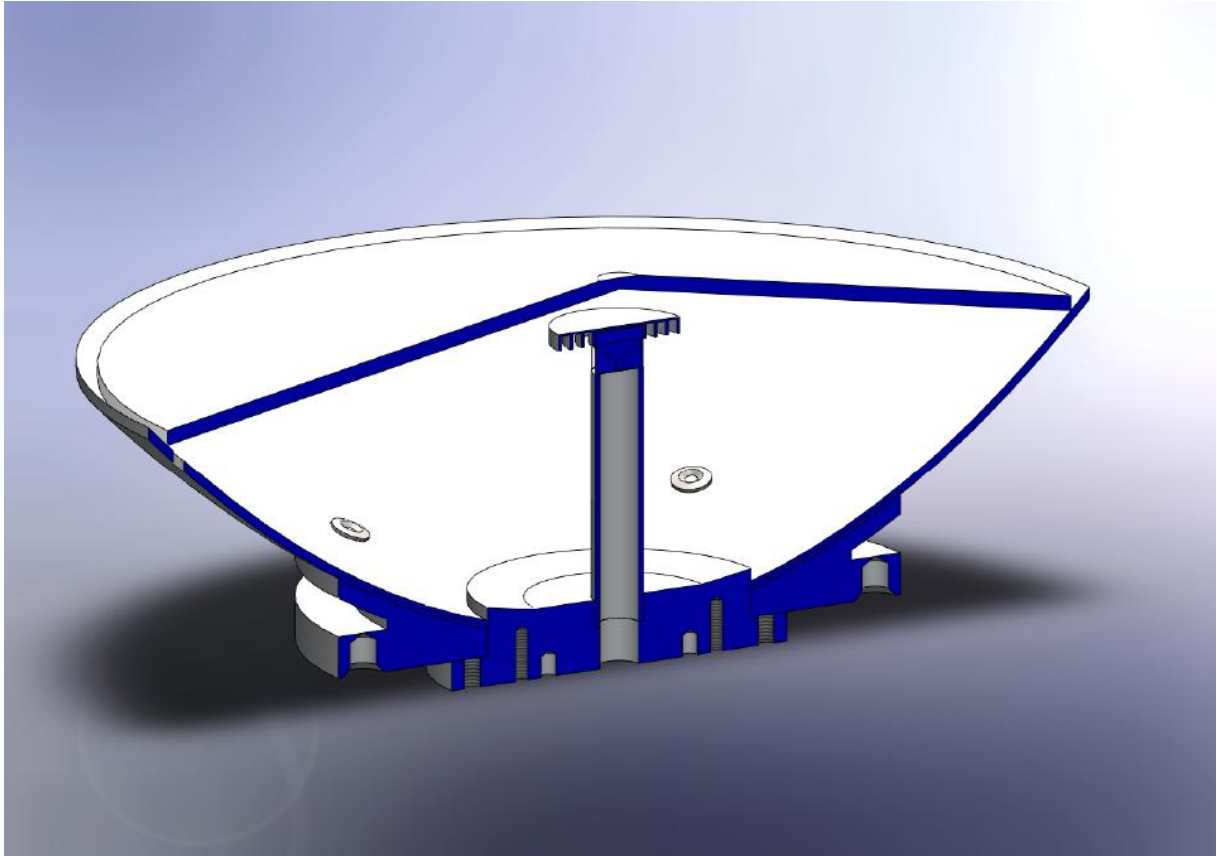


Actual radiation patterns for production antennas will not have any peak exceeding the RPE by more than 3 dB.

MECHANICAL DATA

Size	0.2 m
Depth80 mm
Weight	2 kg
Antenna colour	NCS 1502R Light grey
Radome	Solid UV Stabilised PC Conical
Weight / Mast mount	4.0 kg
Shipping dimensions: Antenna	300 mm x 300mm x 120 mm
Mast mount	257 mm x 223 mm x 252 mm
Shipping weight: Antenna	2.5 kg
Mast mount	4.4 kg
Temperature (operational)	-40 to +55 ° C
Relative humidity15 to 100%
Wind load: Operational	50 m/s (180 km/h)
Survival	70 m/s (250 km/h)
Ice load (900 kg/m ³).....	25 mm
Panning performance: (in azimuth)	±20°
(in elevation)	±20°





Seen in section and maximal antenna size

